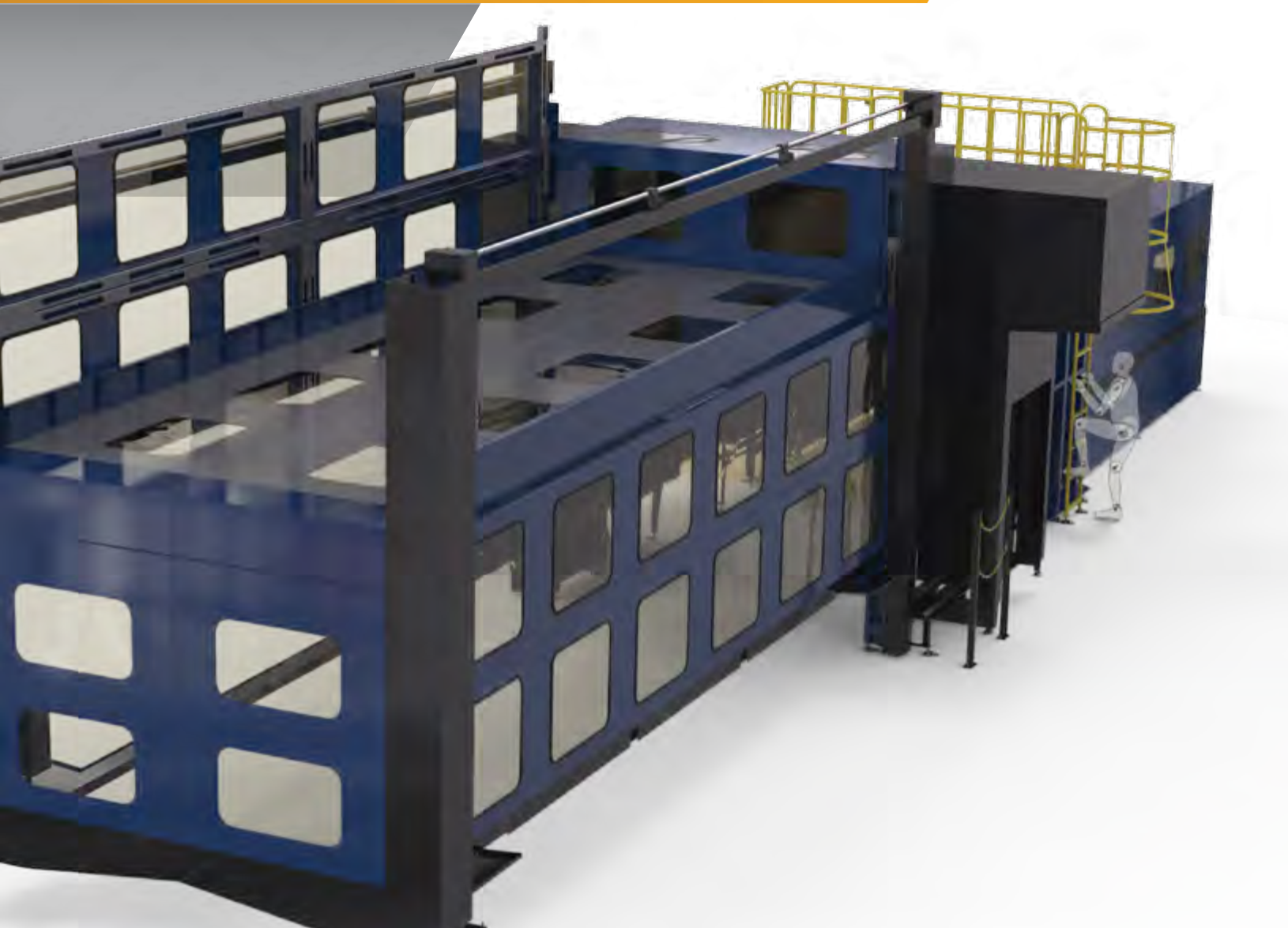


FACILITY SAFETY

PIT COVERS | PLATFORMS & ENCLOSURES | FENCING & GUARDING



PIT COVERS

Keep your staff covered from dangerous falls with removable covers for exposed pits and in-ground machinery. Our cover designs allow easy access to critical areas and are also available for walk-on or load-bearing applications.

PLATFORMS & ENCLOSURES

Update machinery to today's safety standards. Team up with us to design, fabricate, and deliver a safe, accessible, and visually appealing working environment.

FENCING & GUARDING

Protect both man and machine with perimeter guarding and fencing. We design and manufacture according to today's required safety standards.

PIT COVERS

BRIDGE THE SAFETY GAP

Pit covers offer a removable solution for deep pits built to hold heavy machinery or contain hazardous chemicals. You don't have to sacrifice safety for accessibility. Work with our facility safety experts to design and build a custom pit cover with the best materials and features for your specific environment.



PIT COVERS

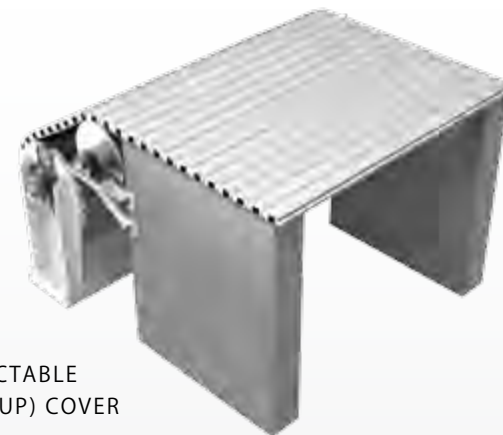
DESIGNS

OPTIONS

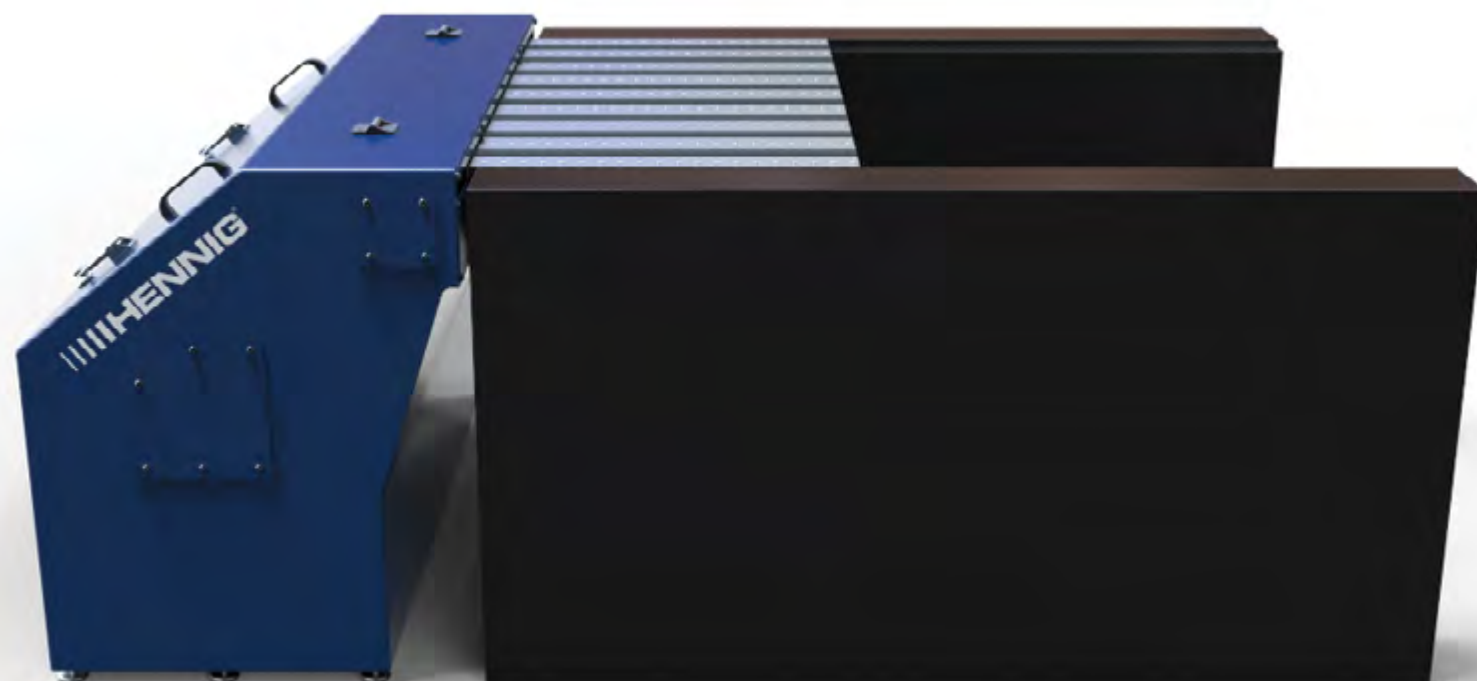
- ▶ MATERIAL stainless steel or aluminum extrusions
- ▶ MOUNTING angular, mount above, mount below
- ▶ DESIGN flat (fixed) or retractable (roll-up)
- ▶ WALK-ON/LOADING BEARING
- ▶ DRIVE constant torque air motor, electric motor or spring loaded
- ▶ CANNISTER protection for gearing, spindle, and wound up cover area
- ▶ AIR FILTER
- ▶ LUBRICATOR
- ▶ REGULATOR



FLAT (FIXED) COVER



RETRACTABLE (ROLL-UP) COVER



GS-20

- ▶ MATERIAL aluminum extrusions
- ▶ NON SKID OPTIONS paint or tape
- ▶ MOUNTING OPTIONS angular, above, below
- ▶ WALK-ON/LOAD BEARING OPTION no



STAINLESS STEEL

- ▶ MATERIAL stainless steel sheets supported with aluminum tubing for stability
- ▶ NON SKID OPTIONS paint or tape
- ▶ MOUNTING OPTIONS angular, above, below
- ▶ WALK-ON/LOAD BEARING OPTION yes



AGS-I

- ▶ MATERIAL aluminum extrusions
- ▶ NON SKID OPTIONS tape
- ▶ MOUNTING OPTIONS angular, above, below
- ▶ WALK-ON/LOAD BEARING OPTION yes



AGS-II

- ▶ MATERIAL aluminum extrusions
- ▶ NON SKID OPTIONS tape
- ▶ MOUNTING OPTIONS angular, above, below
- ▶ WALK-ON/LOAD BEARING OPTION yes



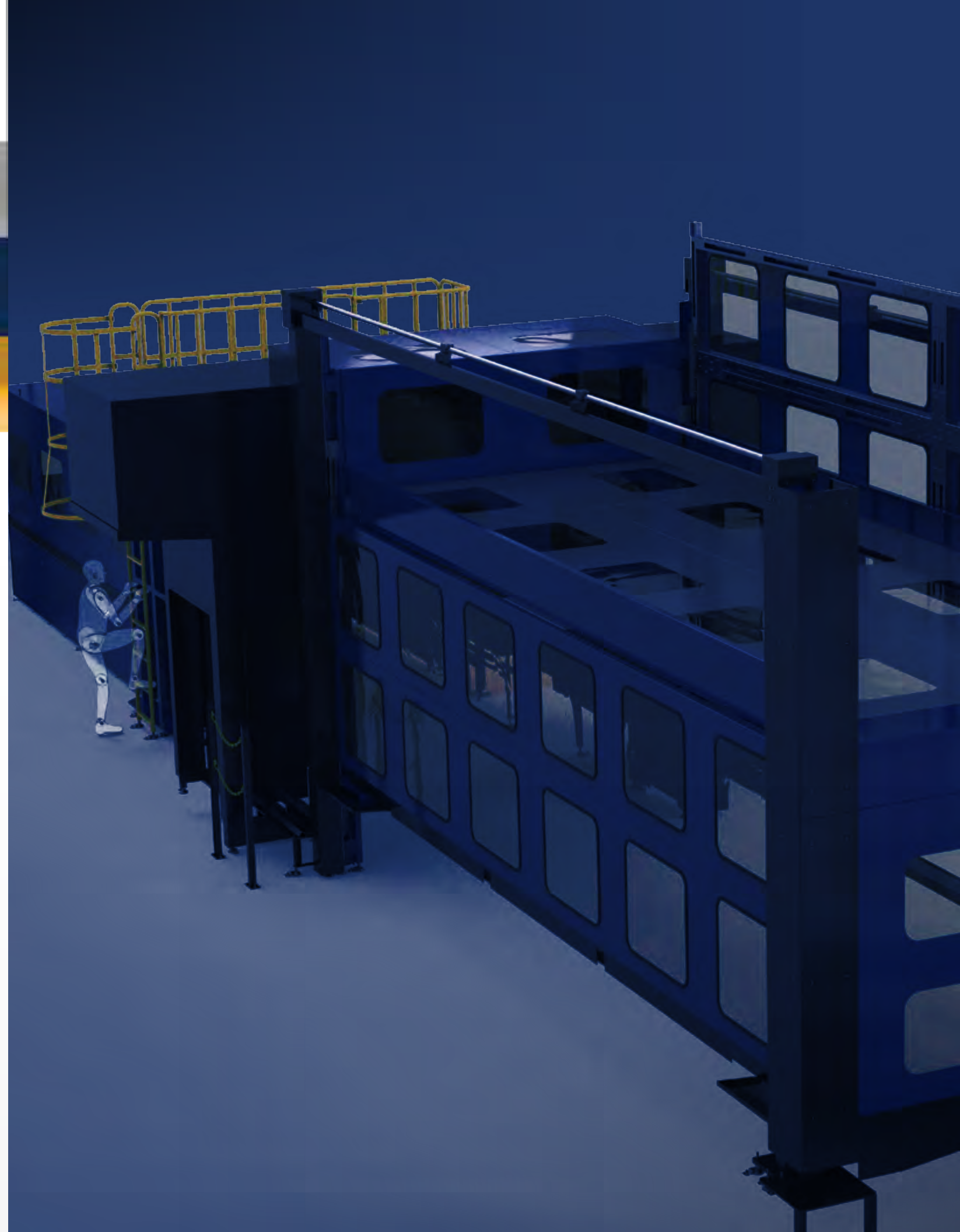
AGS-III

- ▶ MATERIAL aluminum extrusions
- ▶ NON SKID OPTIONS tape
- ▶ MOUNTING OPTIONS angular, above, below
- ▶ WALK-ON/LOAD BEARING OPTION yes

PLATFORMS & ENCLOSURES

CONTINUOUS IMPROVEMENT FOR SAFETY

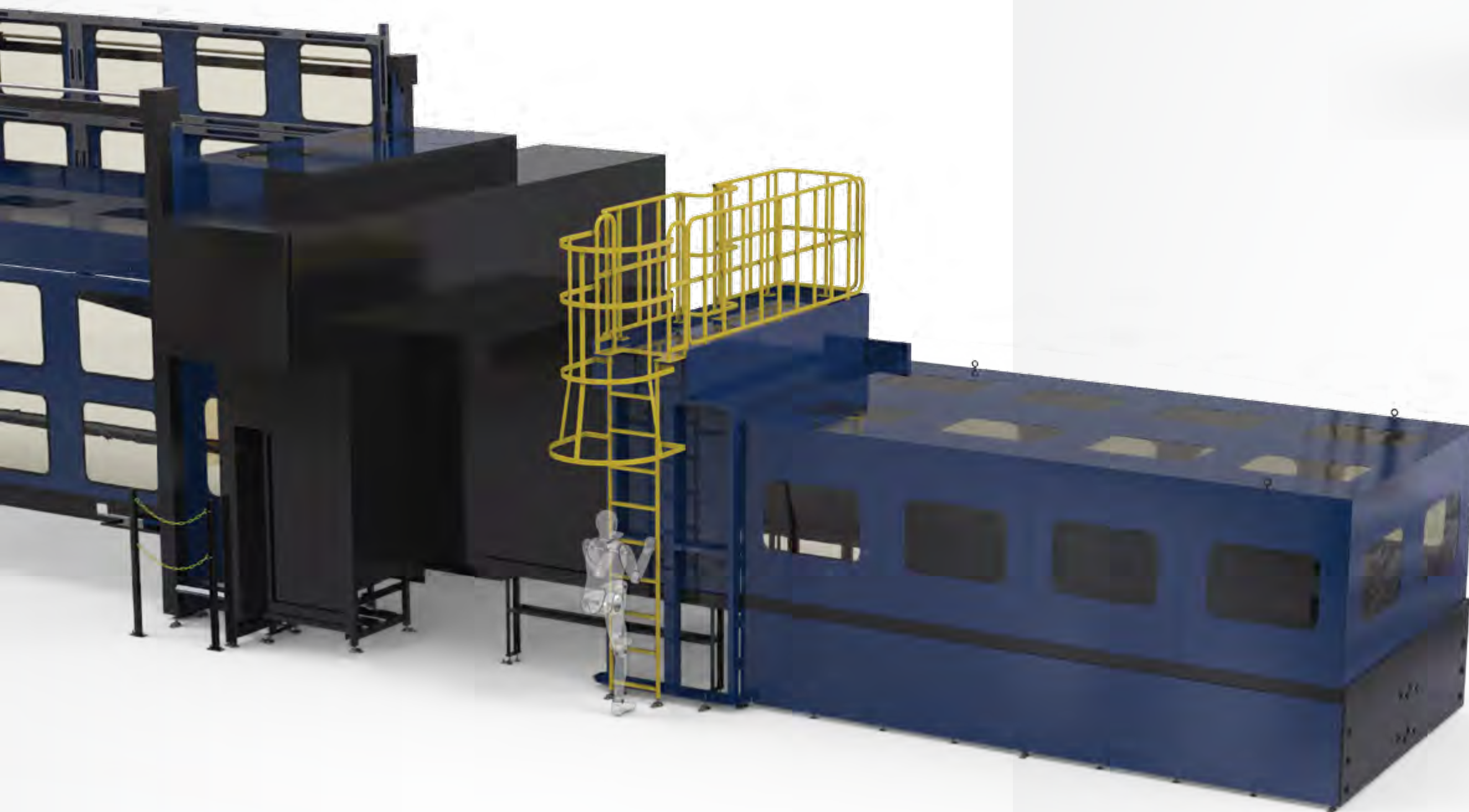
Upgrade your facility to comply with modern safety standards. Many of the machines in use today were originally designed with safety as an afterthought. The safety and compliance of your facility is our top priority with platforms and enclosures designed to meet the strict quality and safety requirements of today .



PLATFORMS & ENCLOSURES

PLATFORMS

Your employees shouldn't have to climb or leap to reach their workstation and the surface they work on should not be slick. If this sounds like your facility, we can design a solution that will literally take your safety to another level with a variety of unique, load bearing surfaces, and non-skid safety surfaces.



ENCLOSURES

Enclose moving parts or hazardous environments with custom fabricated solutions designed with features for safety, aesthetics, and function. Leverage our decades of experience designing, building, and installing enclosures for the world's largest machinery builders.

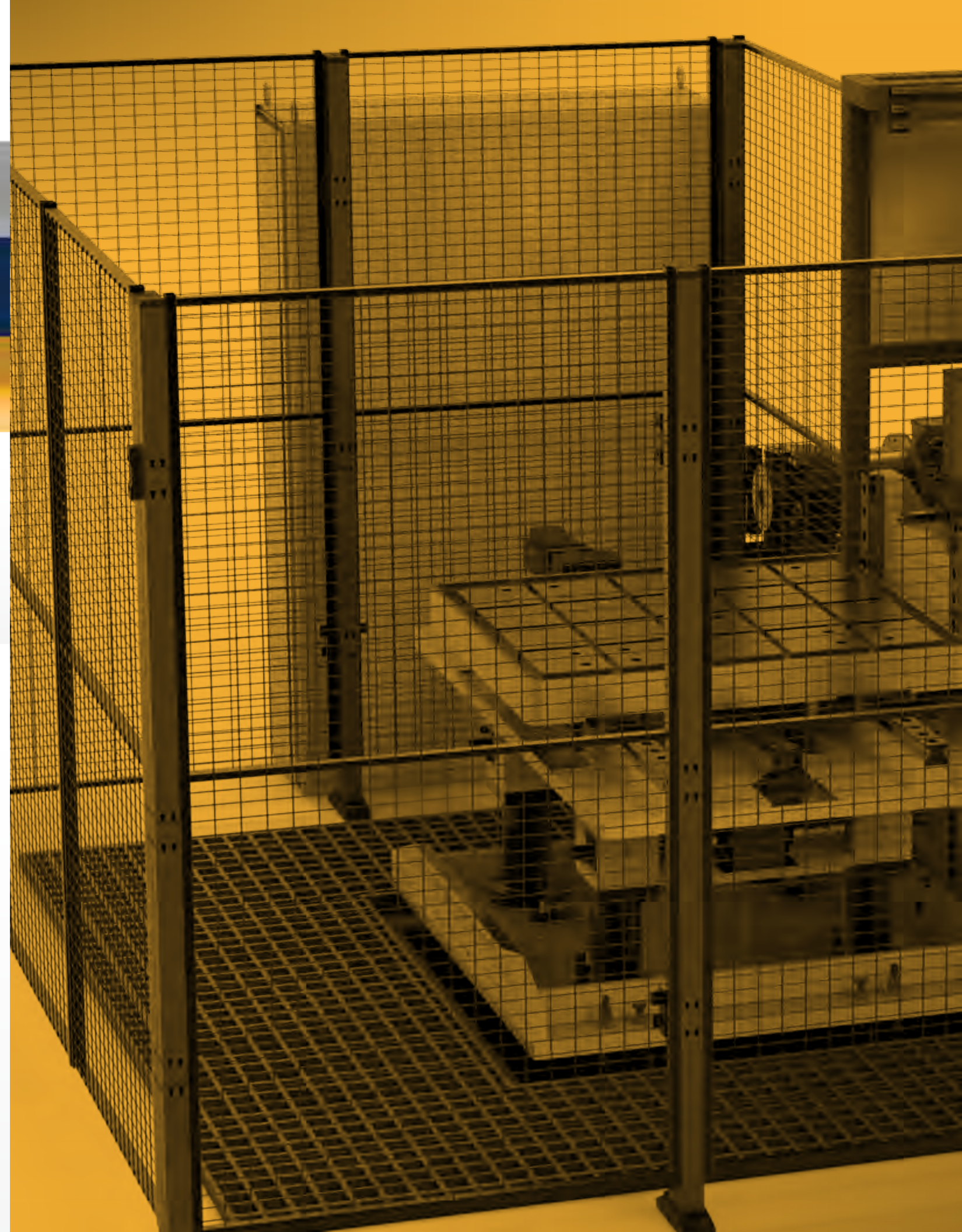


FENCING & GUARDING

SAFETY BOUNDARIES

We all work to establish boundaries that protect our employees from danger . When those boundaries require custom fabricated guards or fencing, that's where we fit in.

Customize your guarding with a variety of materials and options from simple fabricated guards to fully automated perimeters. Add custom color or lighting to promote for safety or to enhance your brand.



FENCING & GUARDING

MEETING MODERN SAFETY STANDARDS

Legacy machinery is often designed without compliance for modern manufacturing safety standards.

Use Hennig's expertise to design and install guarding for the most challenging applications to bring machinery back up to code with automated doors for tool , part & pallet changing.



MACHINE PROTECTION

Telescopic Steel Covers
Bellow Covers
Aprons & Roll Ups
Modular Face Shields
Wiper Systems
Machine Enclosures

CHIP SOLUTIONS

Chip Conveyors
Chip Disc Filtration (CDF)
Coolant Tanks
Turnkey Chip Systems
Conveyor Networks

FACILITY SAFETY

Walk-On Pit Covers
Cable Carriers
Platforms and Enclosures
Guarding and Fencing
Special Fabrications



www.hennigworldwide.com
info@hennig-inc.com
888 436 6446