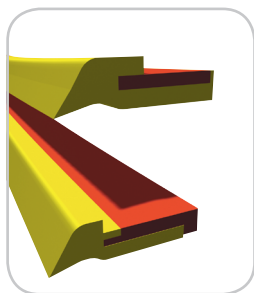


WIPER SYSTEMS

for telescopic steel covers

Wiper systems specially developed for telescopic steel covers. For particular requirements such as limited space for mounting or use in the presence of high volumes of chips produced, we also offer suitable solutions.

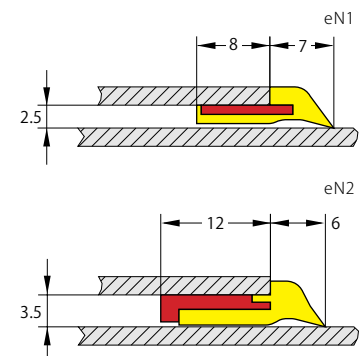
■ wiper lip ■ profile support ▨ sheet metal box ■ damping material ■ profile support



eN SERIES

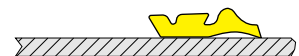
- Used on telescopic steel covers for slideways with small cross-sections
- Wiper lip vulcanized to a flat steel profile
- Highly wear-resistant polyurethane lip, resistant to oil, coolants and microbes
- Standard length of the eN way wiper: 500 mm

See page 60 for more information



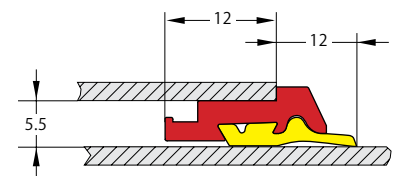
C SERIES

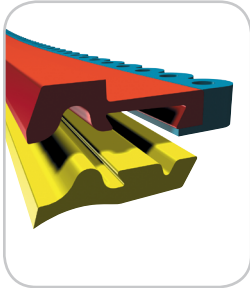
- Same design for all types of C wipers (except CL1)
- Highly wear-resistant polyurethane lips ensuring optimum resistance to water, coolants, chemicals and oil



CL1

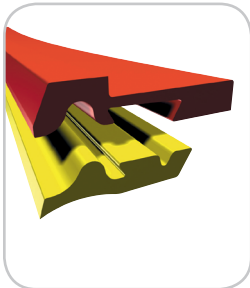
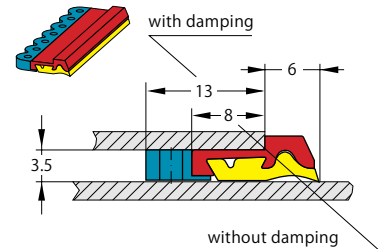
- Usable for large surfaces and aluminum apron systems for manifold applications
- Optimum wiping effect. Will wipe uneven surfaces up to 4 mm
- Highly durable and resistance against all common coolants
- Exchangeable and suitable for all profiles of series C2, 3, 5 and 6 (Illustration: CL1 with C5 profile)





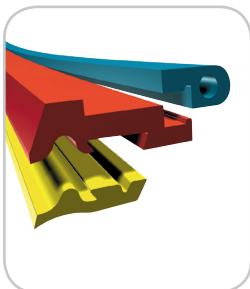
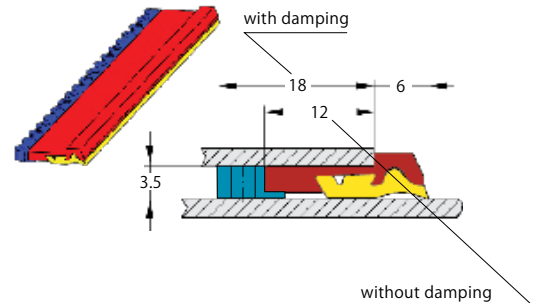
C2

- Smallest wiper of the "C" series
- Replaceable wiper lips
- Very little space required (regarding the mounting height and depth)
- Also available with a rubber profile vulcanized on the profiled support, for optimum damping properties at high traverse speeds (illustration: C2 with damping)



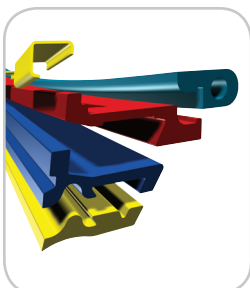
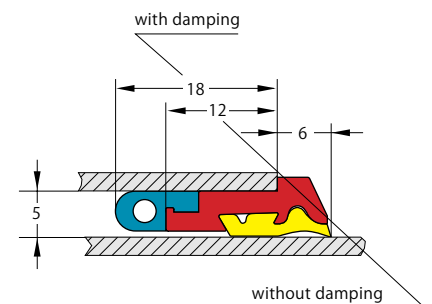
C3

- Wider profile to ensure a better adhesion when spot-welding it to the box
- Replaceable wiper lips
- Very little space (mounting height) required
- Can be screwed onto the cover box
- Optimum rigidity of the cover box in the wiper area
- Available with and without damping
- Assembly dimension with damping 18mm



C5

- Designed for large covers
- Replaceable wiper lips
- A combination of C5 and C3 wipers is possible
- Optimum rigidity of the cover box in the wiper area
- Enlarged return gutter to ensure a rapid draining of the coolant
- Available with and without damping (illustration: C5 with damping)



C6

- Can be replaced directly on the machine without disassembling the cover
- Time saving and cost-effective
- Enlarged return gutter to ensure a rapid draining of the coolant
- Available with and without damping (illustration: C6 with damping)
- Replaceable profile (shown in blue) is fixed with spring clamps
- Solid profile support (shown in red) is welded with the box plate and remains on the cover

