

# TELESCOPIC STEEL COVERS QUOTE REQUEST



Please complete this form and email or fax to your desired location  
info@hennig-inc.com [Find Your Regional Contact](#)

[www.hennigworldwide.com](http://www.hennigworldwide.com)

## 1 COMPANY (complete address)

\_\_\_\_\_  
\_\_\_\_\_  
\_\_\_\_\_

Name \_\_\_\_\_  
Title \_\_\_\_\_  
E-mail \_\_\_\_\_  
Phone \_\_\_\_\_ Fax \_\_\_\_\_ Date \_\_\_\_/\_\_\_\_/\_\_\_\_

## 2 TECHNICAL DATA / EXISTING COVER DIMENSIONS

Quantity \_\_\_\_\_  Each  Set  
Number of Boxes \_\_\_\_\_  
Cover Type \_\_\_\_\_  
Mounting Configuration \_\_\_\_\_  
Width of Cover \_\_\_\_\_

Height of Cover \_\_\_\_\_  
Height Over Ways \_\_\_\_\_  
Angle \_\_\_\_\_  
Height of Side (types BB, CC, DD, EE) \_\_\_\_\_  
Width of Top (types DD, EE) \_\_\_\_\_

## 3 APPLICATION

Manufacturer  Hennig  Enomoto  Other  
Hennig or Enomoto Part # \_\_\_\_\_  
OEM Part # \_\_\_\_\_

### COVER ORIENTATION (check one)

Horizontal  Vertical  Cross Rail  
 Slant Bed  Column/Table  \_\_\_\_\_

### Machine Type

Make \_\_\_\_\_  
Model \_\_\_\_\_  
Axis  X  Y  Z  Other  
Photos Available?  Yes  No  
DWGs or Sketches available?  Yes  No

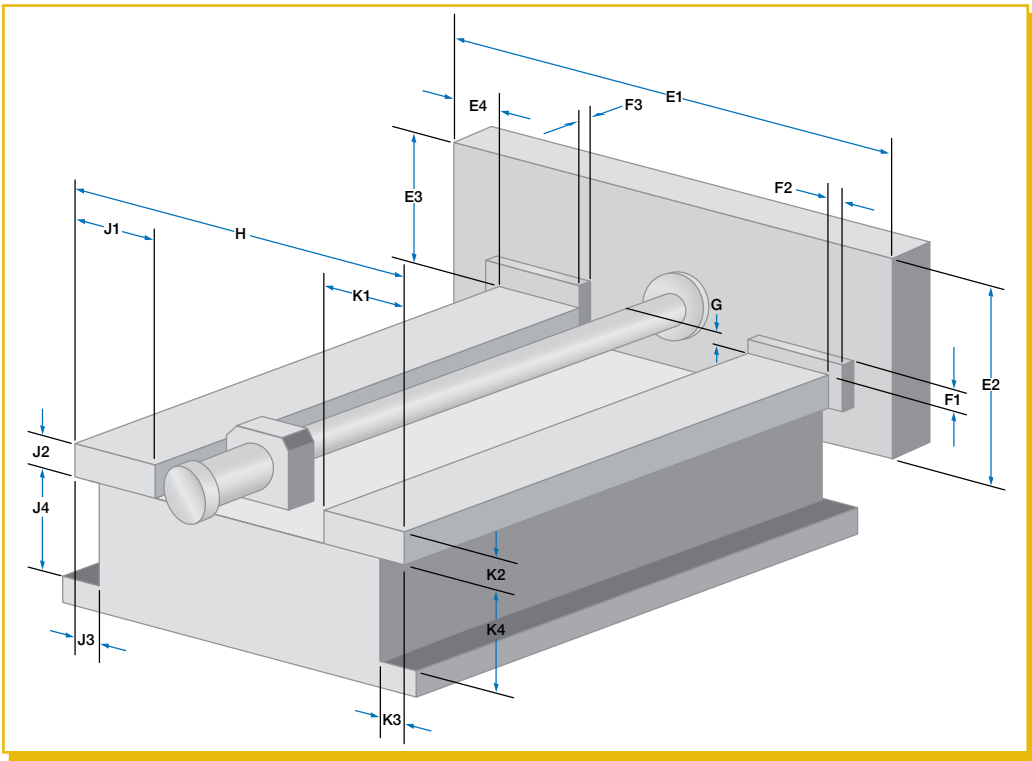
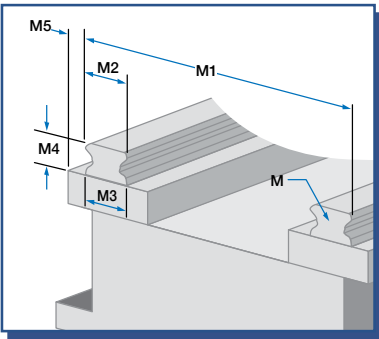
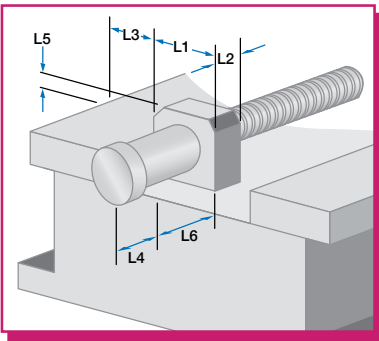
### Operating Environment

Dry  Grinding  Hot Chip  
 Heavy Coolant  Other \_\_\_\_\_  
Operating Temperature Range \_\_\_\_\_  
Maximum Travel Speed \_\_\_\_\_

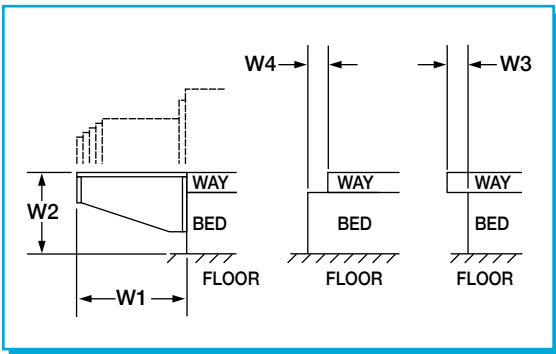
## 4 DIMENSIONS

**A** Extended length \_\_\_\_\_  
**B** Compressed length \_\_\_\_\_  
**C** Travel \_\_\_\_\_  
**D1** End of way to table when compressed \_\_\_\_\_  
**D2** End of way to table at over travel \_\_\_\_\_  
**E1** Table width \_\_\_\_\_  
**E2** Table height \_\_\_\_\_  
**E3** Table height above way \_\_\_\_\_  
**E4** Side of way to side of table \_\_\_\_\_  
**F1** Way wiper height above way \_\_\_\_\_  
**F2** Side of way wipers to side of way \_\_\_\_\_  
**F3** Way wiper to table (depth) \_\_\_\_\_  
**G** Height of ball screw above way \_\_\_\_\_  
**H** Width over ways \_\_\_\_\_  
**J1** Individual width of way \_\_\_\_\_  
**J2** Individual height of way \_\_\_\_\_  
**J3** Side of way to side of casting \_\_\_\_\_  
**J4** Casting distance below way \_\_\_\_\_  
**K1** Individual width of way \_\_\_\_\_

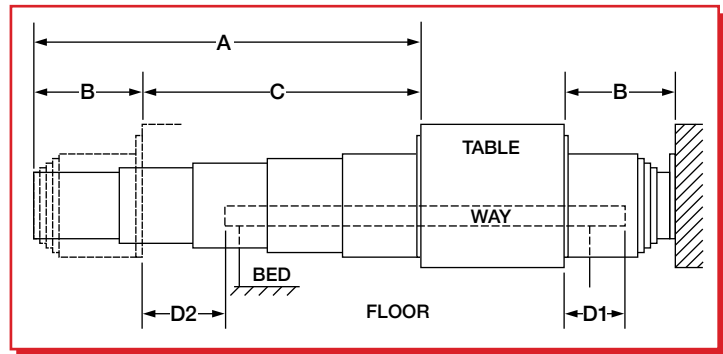
**K2** Individual height of way \_\_\_\_\_  
**K3** Side of way to side of casting \_\_\_\_\_  
**K4** Casting distance below way \_\_\_\_\_  
**L1** Width of drive mount \_\_\_\_\_  
**L2** Depth of drive mount \_\_\_\_\_  
**L3** Side of way to side of drive mount \_\_\_\_\_  
**L4** End of way to front of motor \_\_\_\_\_  
**L5** Drive mount height above way \_\_\_\_\_  
**L6** End of way to drive mount \_\_\_\_\_  
**M** Rail type \_\_\_\_\_  
**M1** Width over linear rails \_\_\_\_\_  
**M2** Rail width (top) \_\_\_\_\_  
**M3** Rail width (bottom) \_\_\_\_\_  
**M4** Rail height \_\_\_\_\_  
**M5** Side of casting to side of rail \_\_\_\_\_  
**W1** Way extension length \_\_\_\_\_  
**W2** Way height to floor \_\_\_\_\_  
**W3** Way to bed offset \_\_\_\_\_  
**W4** Bed to way offset \_\_\_\_\_



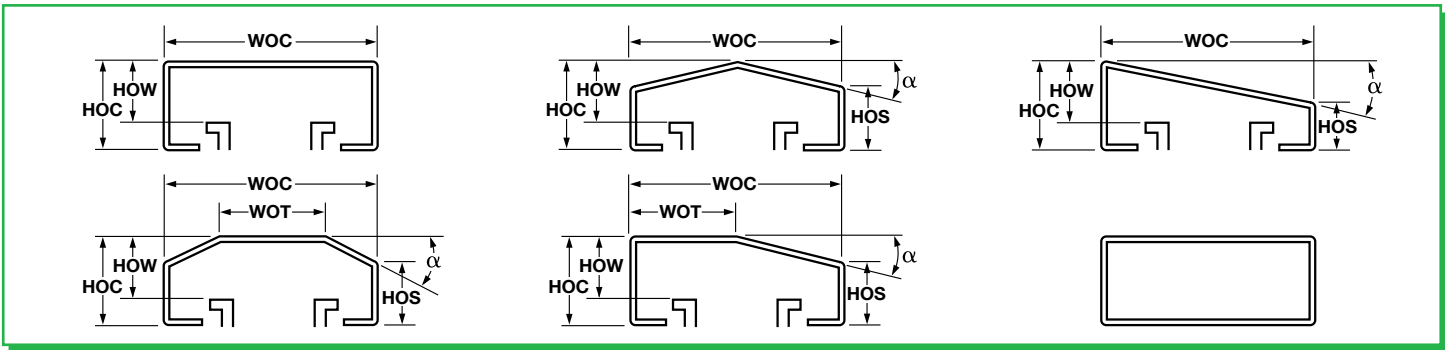
**WAY EXTENSION BRACKETS**



**SIDE VIEW**



**COVER TYPES**



**MOUNTING CONFIGURATIONS**

